

PINWOODFER

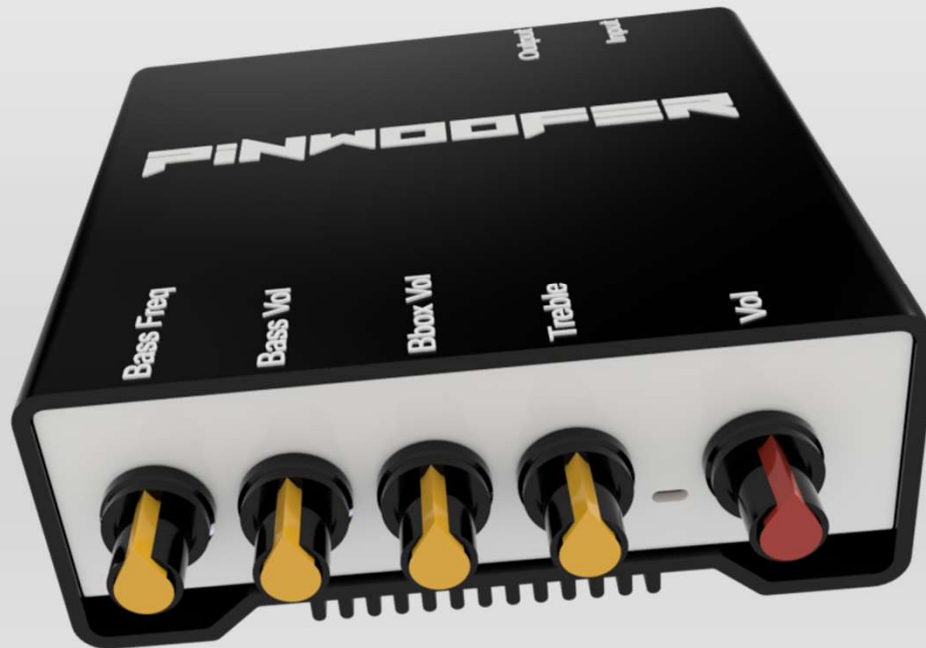
Copyright © 2019-2023 SubDude Audio LLC, Idaho, USA. All Rights Reserved. Reproduction, transmission or redistribution of this document or its contents without written permission is prohibited.

Take your time, follow the instructions, relax, and enjoy yourself!

WARNING: Perform installation with your pinball machine turned off and unplugged from AC power.

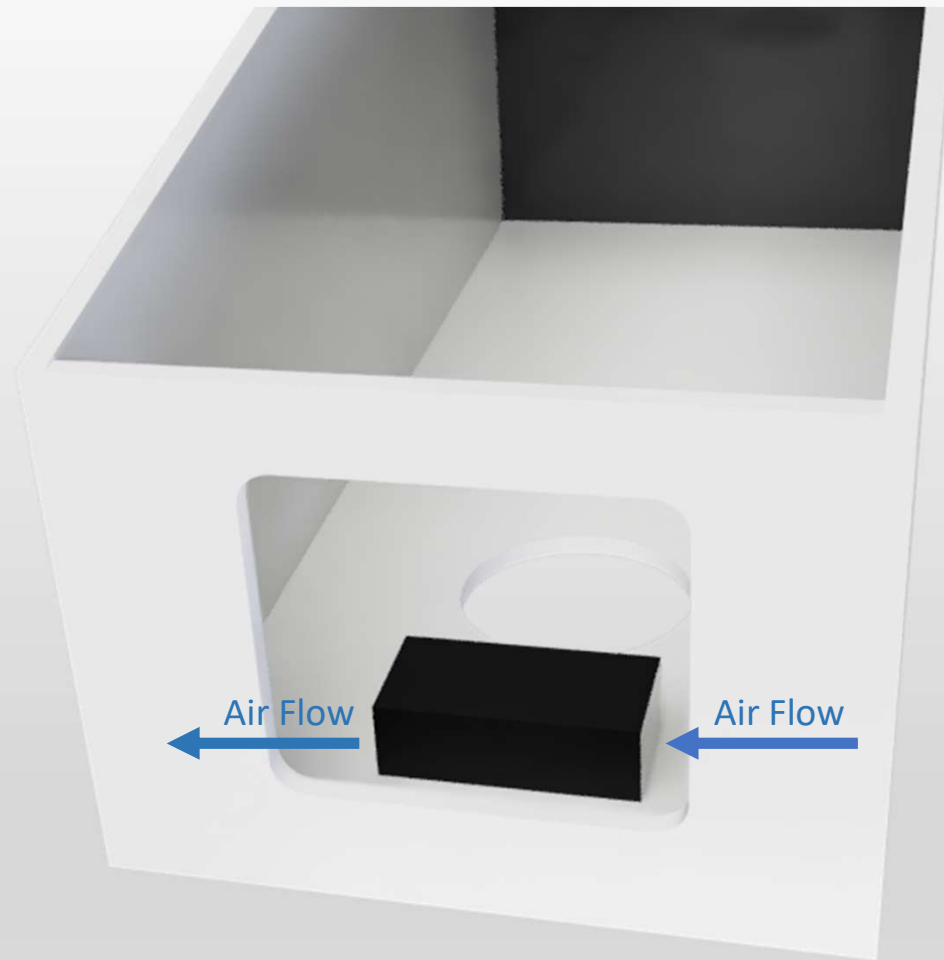
PINWOOFER

PinWoofers Early JJP (EJJP) KOP Amplifier Installation Instructions



Amplifier Placement

- Remove the Coin Box and replace it with the amplifier resting as shown.
- Use only a PinWoofers supplied Amplifier Mounting Bracket. Aside from being more secure, it will allow you to transport your machine with the amplifier installed into the bracket.
- Alternatively, a high-bond double-sided tape can be used to secure the amplifier to the Cabinet Floor, or adhesive hook and loop pads. In this case, please remove amplifier before transport.
- Mount the amplifier only within the machine; DO NOT attempt to mount the amplifier external to the machine.
- The Aluminum Amplifier Enclosure is designed to have a small convective airflow underneath to promote cooling.
- The Amplifier should never run more than slightly warm to the touch.

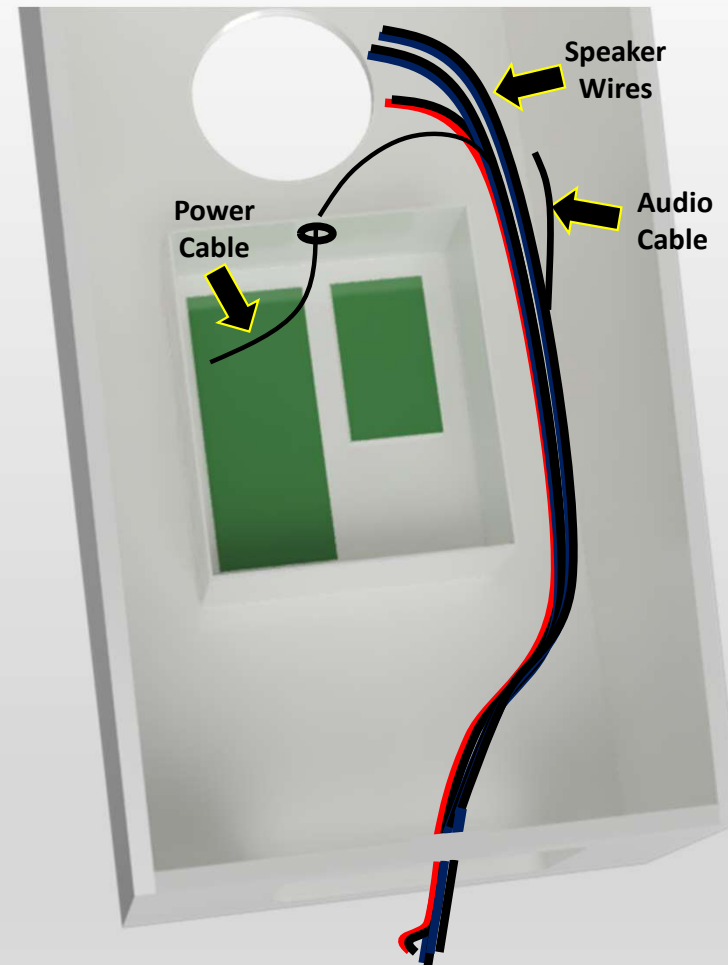


1_a

PINWOOFER

Harness Routing

- Unplug the machine from AC Power.
- Open the Coin Door.
- Remove the Playfield Glass.
- Lift the Playfield up and securely prop it open.
- Remove the top of the large aluminum enclosure within the cabinet.
- Feed the Amplifier End of the PinWoofers Harness down the right side of the cabinet and through the Coin Door opening.
- Feed the Power Cable through the hole in the rear of the aluminum enclosure.
- Feed the Audio Cable to a location near the rear of the aluminum enclosure.

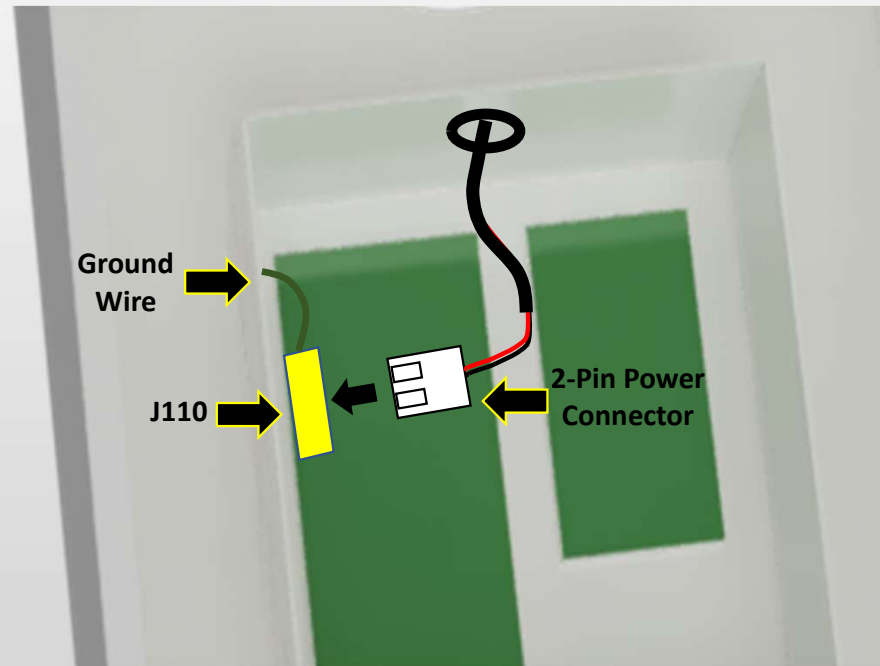


1_b

PINWOOFER

Power Connection

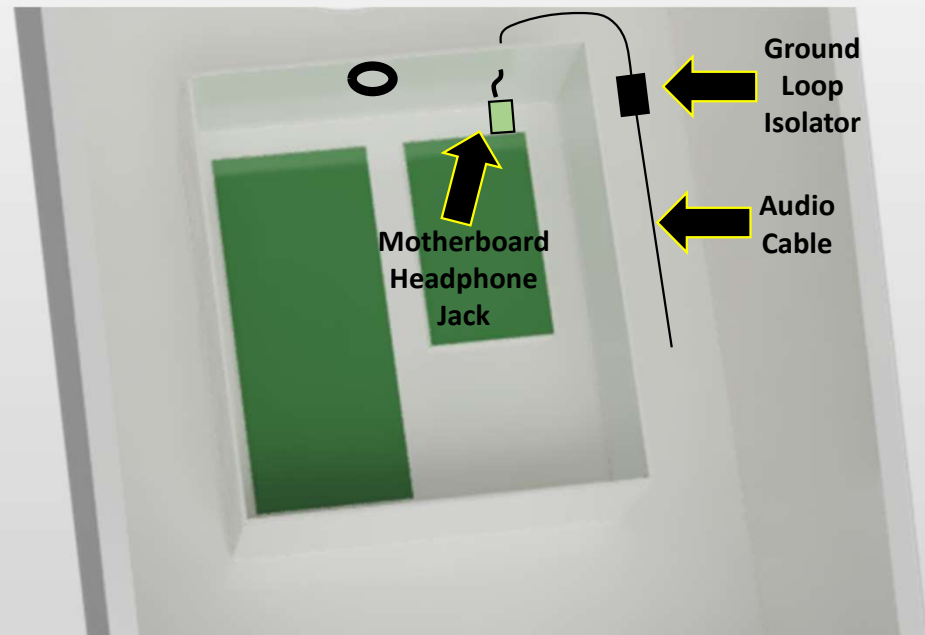
- Unplug the 10-Pin Factory Connector from J110 on the I/O PCB Assembly (your title may or may not have this Factory Connector).
- Plug the 10-Pin Factory Connector into the Power Board. (If applicable.)
- Plug the 2-Pin Power Connector on the PinWoofers Harness to the Power Board. Red is “+” and black is “-”.
- Plug the Power Board into J110. (There may be a Wire Loom that is obstructing the factory connector when plugging the power board. If so, simply remove this Wire Loom.)
- Secure the Ground Wire on the Power Board to a nearby enclosure ground screw location. The Ground Wire **MUST** make direct electrical contact to metal.



PINWOOFER

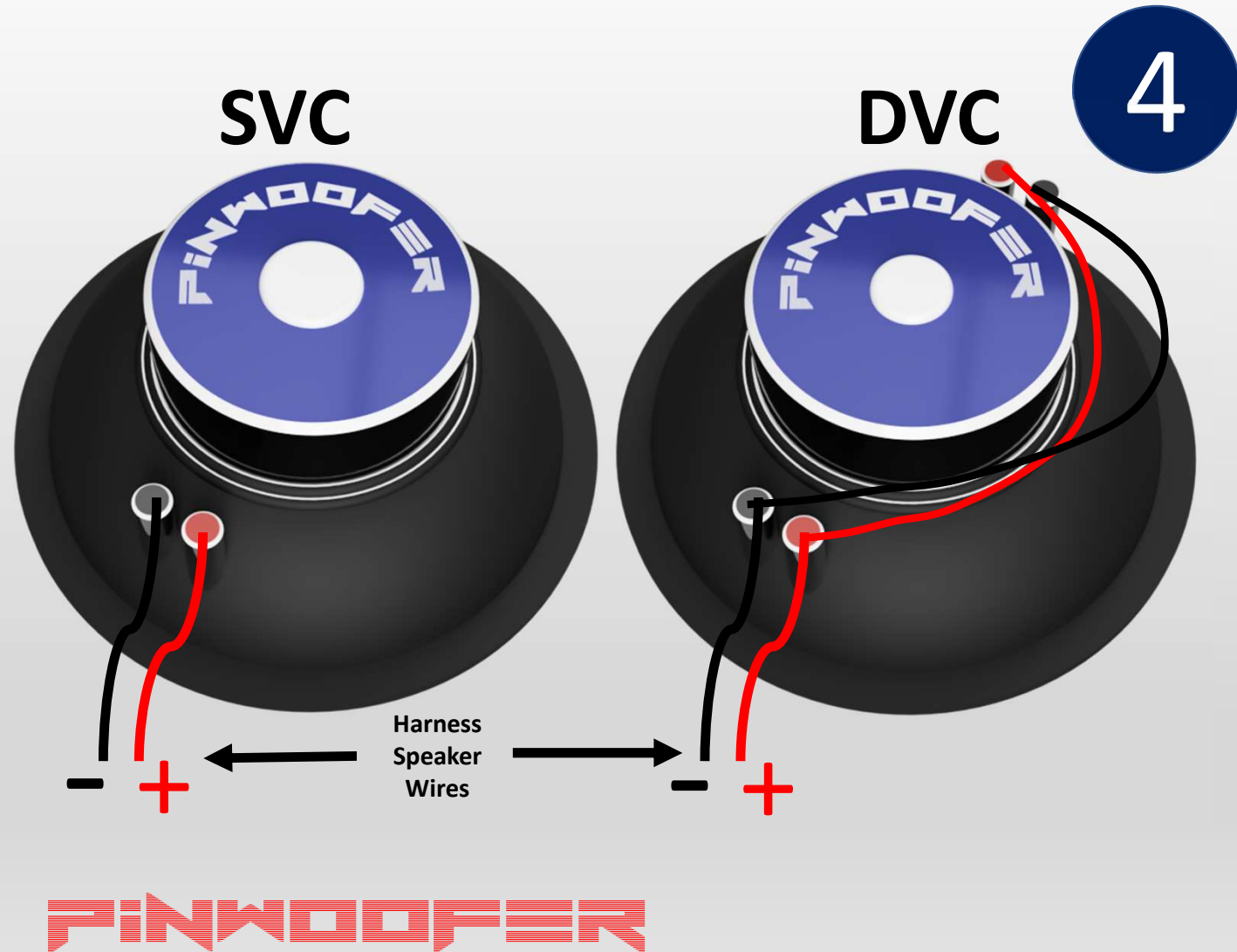
Audio Connection

- Unplug the factory Audio Cable from the green Motherboard Headphone Jack on the CPU Board.
- The Headphone Jack can be located on the back wall of the aluminum enclosure.
- Plug one end of the Ground Loop Isolator into the green Motherboard Headphone Jack on the CPU Board.
- Plug the TRS Male plug (from the PinWoofers Harness) into the opposite side of the Ground Loop Isolator.



Cabinet Speaker Connection

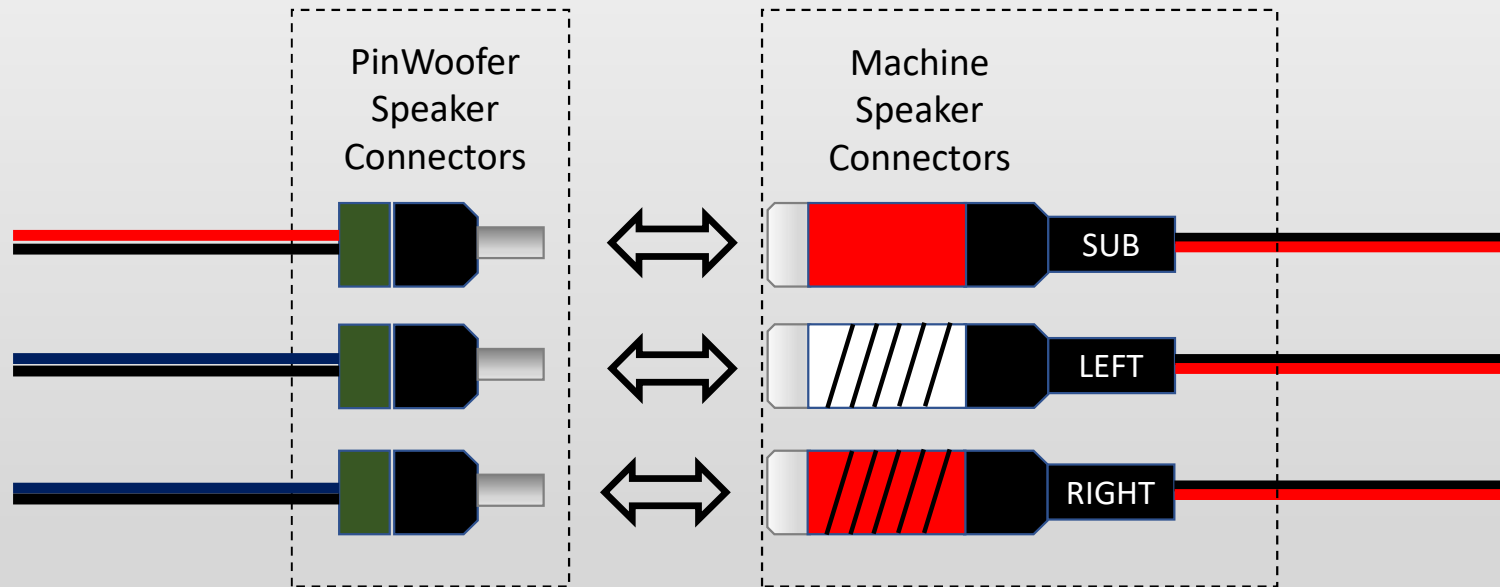
- Definitions:
 - SVC – Single Voice Coil
 - DVC – Dual Voice Coil
- For DVC, do not alter the factory wires present on your new Cabinet Speaker.
- Locate the terminals on the factory Speaker.
- Re-use the factory Speaker Wire Stub with RCA Connector for your new Speaker.
- Add crimp lugs to the factory Wire Stub and:
 - Connect the red wire to “+” Terminal
 - Connect the black wire to “-” Terminal



PINWOOFER

Speaker Connections

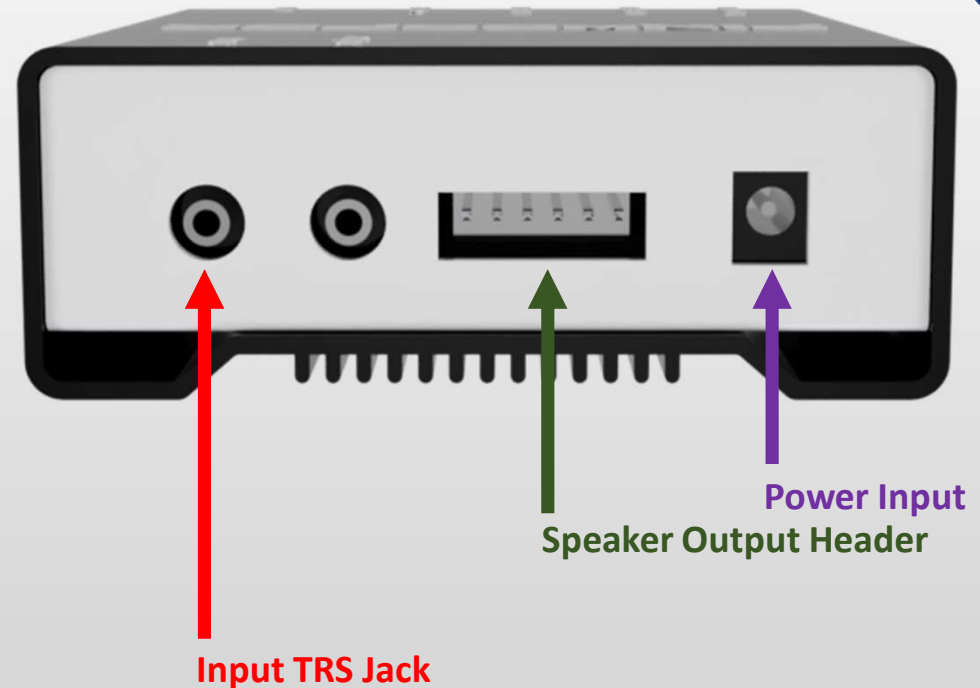
- The Machine Speaker Connectors are plugged into the back of the Aluminum Enclosure. Unplug them now.
- Plug the PinWoofers Speaker Connectors into the Machine Speaker Connectors as shown.



PiNWOOFER

Amplifier to Harness Connections

- Insert the TRS Male Plug on the amplifier end of the PinWoofers Harness into Input TRS Jack.
- Plug the 6-Pin Molex Connector into the Speaker Output Header. The Connector tab locks should be facing upward.
- Insert the Power Plug into the Power Input Jack

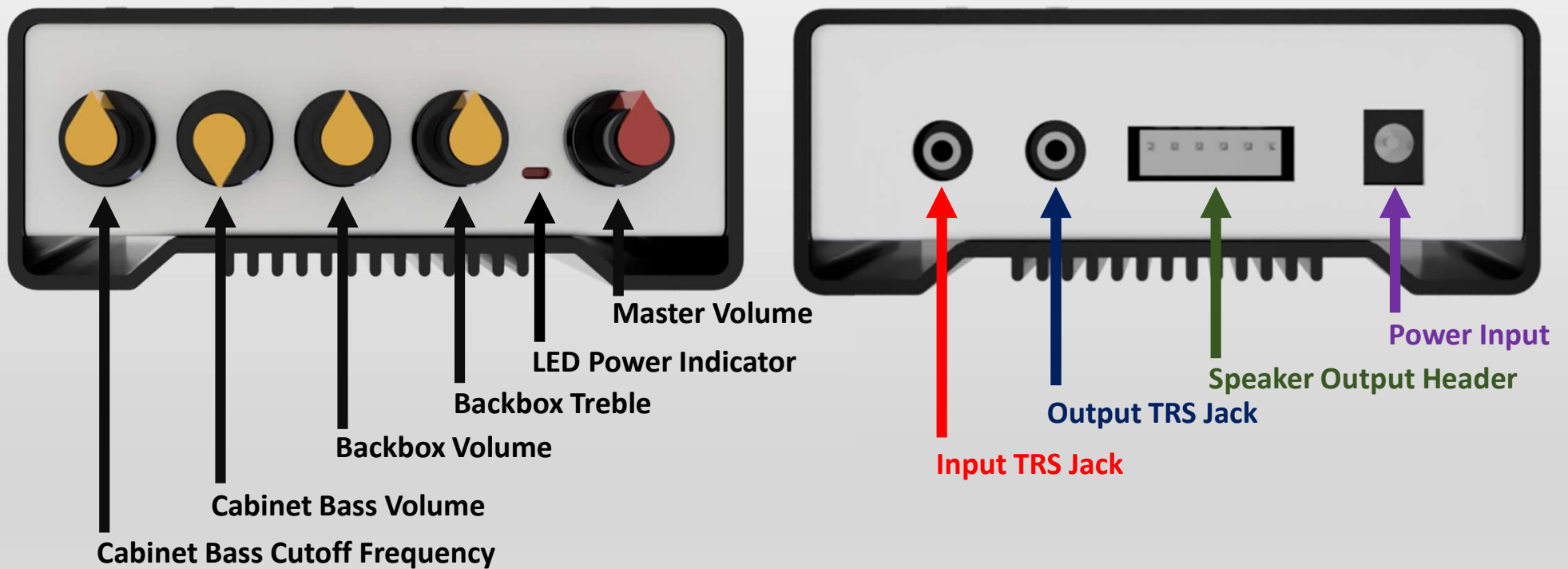


PiNWOOFER

AMPLIFIER OVERVIEW

When first powering on your PinWoofers Amplifier, adjust the controls as shown:

- “Bass Vol” set to “6 o’clock”
- All other controls set to “12 o’clock”



PINWOOFER

ADJUSTMENTS

- **After installation, turn the machine on and follow the below startup procedure:**
 1. Set the service Menu Volume (using coin door volume buttons) to 25.
 2. In the machine's menu set all audio settings to default:
FULL MENU → SETTINGS → SYSTEM SETTINGS → SOUND (green are the default values)
 3. Exit menu.
 4. Set the amplifier dials as shown on the previous page.
 5. Adjust the amplifier controls either by starting a game or be alternating up and down the coin door volume controls (to keep the sound consistently playing).
 6. Note that there may be a high voltage lock-out switch (a white pin) on the coin door that needs to be constantly depressed or pulled out to lock in the on position.
 7. It is likely that the starting amplifier settings from 4. above may not sound good. Be confident in rotating the dials to any position that sounds good to you!
 8. Your final adjustments may leave the dials in radically different positions. This is perfectly fine as long as you have achieved your desired results.
 9. As needed, return to the menu to make adjustments to the audio settings. It is often helpful to change the MIX settings depending on results, and after you have had some experience with your new PinWoofers sound system.

PINWOOFER

FINWOODSER

End of Document